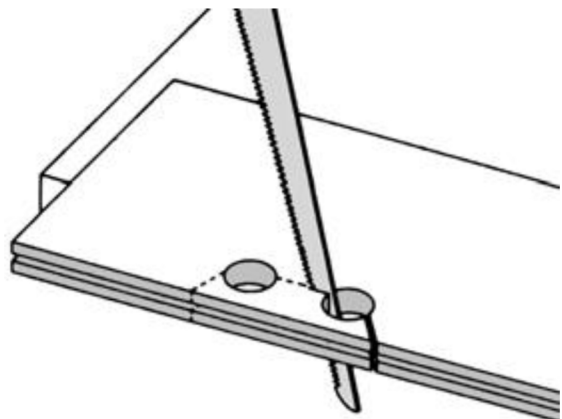
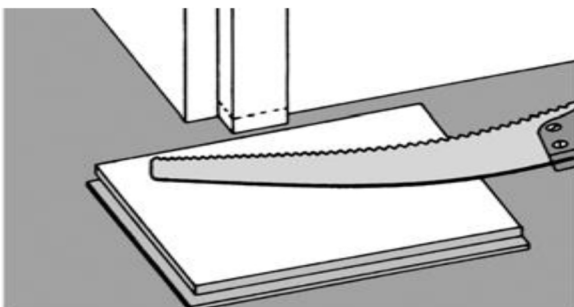


# HERITAGE/MATRIX/SOHO/ TIMBERWOOD INSTALLATION

## GENERAL INSTALLATION GUIDE

Wood is hygroscopic, it will absorb and expel moisture based on its environment. **A temperature of 60°-75° F (15° -24° C) and relative humidity of 35-50%, must be brought to normal usage levels at least 96 hours before installation and maintained at those levels after installation. The HVAC system must be fully operational for 14 days prior to the installation, this not only stabilizes the building's interior environment, but is also essential when acclimating the laminate flooring to the job site.** The laminate flooring must be handled with care and stored within the environmentally controlled job site. Flooring stored upon "on-grade" concrete floors must be elevated at least four inches to allow air circulation under the cartons. Leave the laminate flooring in closed cartons for as long as necessary to fully acclimate to the site conditions. **The laminate flooring materials must be acclimated for a minimum of 48 hours in a controlled environment and under normal living conditions.** Installation should only be started after the drywall and other work are thoroughly dried and all but the final woodwork and trim have been completed.

Expansion allowance of 1/2" – 5/8" (12.5mm-16mm) must be maintained around the perimeter of the room, the same gap must also be provided around pipes, thresholds or other obstructions. All door jambs and casings must be undercut to allow for expansion and to allow the floor to float freely. For rooms up to 25 ft. in width and 40 ft. in length, allow for 1/2" – 5/8" (12.5mm-16mm) expansion, for larger areas install expansion joints at each interval exceeding the maximum width or length.



**NOTE:** Laminate floors are manufactured in accordance with accepted industry standards, which permit a manufacturing tolerance of up to 5%. When ordering the flooring, 5% must be added to the actual square footage for needed cutting and grading allowance. The floor should be installed from several boxes to ensure a good mix of materials and all end joints must be staggered at least 8" (200mm) for strength and stability.

It is the responsibility of the installer/owner to inspect all materials carefully before installation. Warranties do not cover materials with visible defects once they are installed. It is the responsibility of the installer/owner to determine if the jobsite sub floor and jobsite conditions are environmentally and structurally acceptable for laminate flooring installation. The manufacturer is not responsible for floor failure resulting from or connected with sub floor, subsurface, jobsite damage or deficiencies after the laminate flooring has been installed.

### **SUB FLOOR PREPARATION**

Sub floor irregularities will cause any flooring installation to develop hollow spots between the flooring and the sub floor. These hollow spots are not the result of any manufacturing defect and are not covered by the warranty. These hollow spots must be leveled to 1/8" in 10' radius, by grinding down the high areas and filling the low areas with a high compression leveling compound. The subfloor preparation must be allowed to completely cure before starting the installation.

**Note:** The manufacturer is not responsible for and does not warranty the quality of the installers work or the installation of the flooring, including materials that are used in the installation. It is the responsibility of the installer to use the proper materials and tools for each installation. The manufacturer assumes no liability arising from improper installation, improper materials, inappropriate installation location or improper care and maintenance of the flooring. See our warranty for details.

#### **➤ Floor Protection During Construction**

Always protect the surface of the installed flooring during construction by laying a quality resin paper or other paper that will allow the floor to breath, and tape it to the baseboards. Never use plastic or polyethylene sheeting to cover the floor since they will trap moisture that will damage the flooring.

#### **➤ Final Inspection**

After the floor has been cleaned; inspect the floor for nicks, scratches, gaps, or planks that may have moved during installation, as well as any other imperfections that need attention. Touch up nicks and scratches with touch-up products.

## DropLoc FLOATING INSTALLATION

1) The laminate flooring should be installed parallel with the longest wall, since walls are often not straight and rooms are not square, use care in putting down the first row of flooring, use a chalk-line as a guide to ensure the first row is straight and scribe the first row to the wall if necessary. Use blocks or wedges to align the first row to the chalk line. It is very important that the first row is straight, do not fasten the first row to the floor (Fig.1).

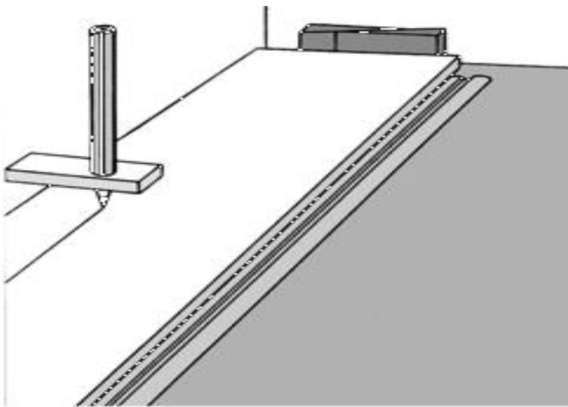


Fig.1

2) Measure the row before laying the first panel and cut the first panel according to the length required for the last panel, ensure that the last panel is a minimum of 8" (20cm) (Fig.2). Install the first row by laying the first panel in the left-hand corner of the room with the tongue facing the wall, leaving the expansion gap; 1/2" – 5/8" (12.5mm-16mm) as required between the panels and the wall. Ensure to include the tongue in the measurement when allowing for the expansion gap or if preferred, you can cut off the tongue on the first row. Lock the ends of the panels together with the help of a fitting block (a panel off cut with a lengthwise tongue profile) until the first row is finished (Fig.3).

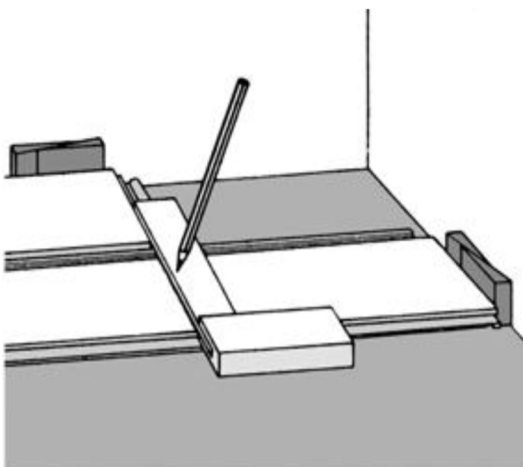


Fig.2

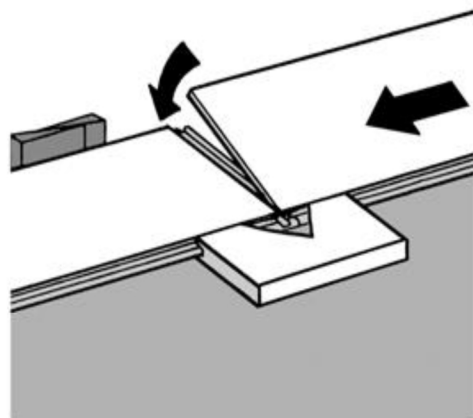


Fig.3

3) Continue to lay each remaining panel by folding the length of the panel first (Fig.4) then placing the end joint in position (Fig.5).

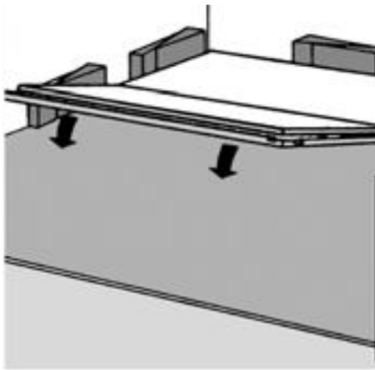


Fig.4

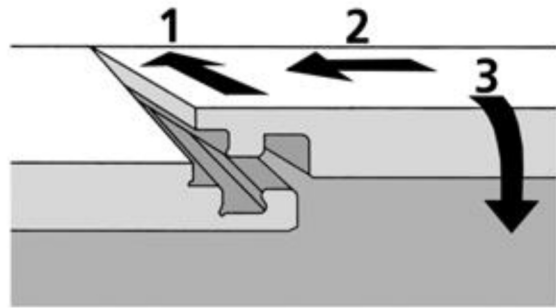


Fig.5

Stagger joints so a random pattern is generated with a minimum 8" (20cm) staggered joint, this is mandatory in order to maintain the integrity of the end joints (Fig.7).

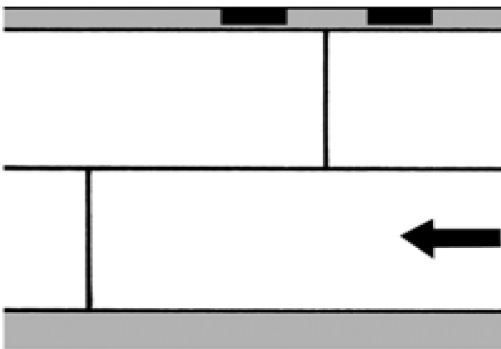


Fig.7

4) When you have reached the final row, you will need to measure the width of the final planks. You may need to rip the planks to match the width of the space remaining (a minimum of 2" is required). Make sure the expansion shims are in place and take the shim width into consideration when cutting the final row.

## **RADIANT HEATED FLOOR INSTALLATION GUIDE**

### Heating System:

- Maximum allowable temperature is 26° C.
- The heating system must be fully operational at normal temperature for a minimum of 21 days prior to the flooring installation.
- The heating system must be turned off 48 hours prior to the flooring installation and must remain off for 48 hours after the flooring installation.
- Starting 48 hours after the completion of the flooring installation, gradually increase the temperature over a 7 day period at 2° C increments to the normal operating level. NEVER allow the surface temperature to exceed 26° C.
- Maintain the required interior humidity level between 35% – 50% at all times.
- During cold periods with increased heating, the indoor air humidity may become too low and can be overcome with the use of a room humidifier.
- During hot periods, the indoor air humidity may become too high and can be overcome with the use of a room de-humidifier.

### Subfloor:

- Concrete subfloors must be cured for a minimum of 90 days before beginning the installation.
- The subfloor should be completely dry and free of dirt, oil or any debris.
- In floor heating pipes must be covered with a minimum of 1" of concrete.
- A 6 mil polyethylene vapor barrier must be installed on all concrete, stone or mineral subfloors, all seams must be overlapped 18" (45cm) and the seams must be taped with a waterproof tuck tape. The vapor barrier must continue up all of the walls 1" (2.5cm).
- A minimum of a 3mm Acousticork® underlayment or another approved underlayment must be used and taped at all the seams with a water proof "Tuck tape".

### Installation:

- It is required to apply a small amount of a professional grade laminate flooring glue to the end joints of each panel in order to avoid any excessive end joint movements caused by "Hot Spots" in the radiant heated floor, do not to apply excessive amounts of glue as this could result in the peaking or swelling of the joints.
- An expansion gap of 5/8" is required along each wall, around all pipes and other obstacles. All door jambs must be undercut to allow the flooring to expand and contract freely.